

# G2E140 Series Centrifugal Blower

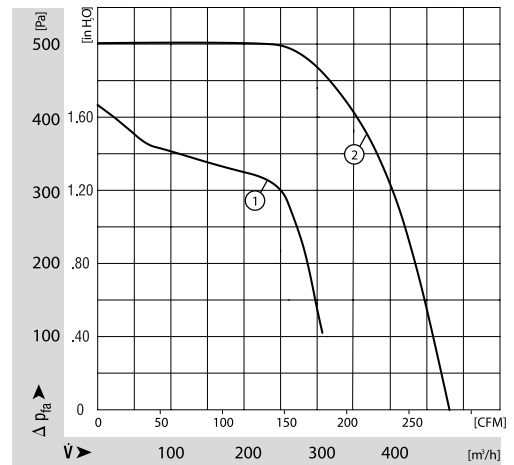
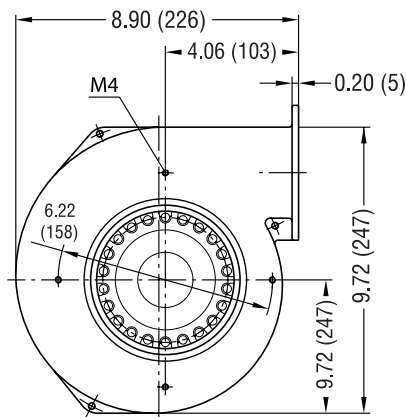
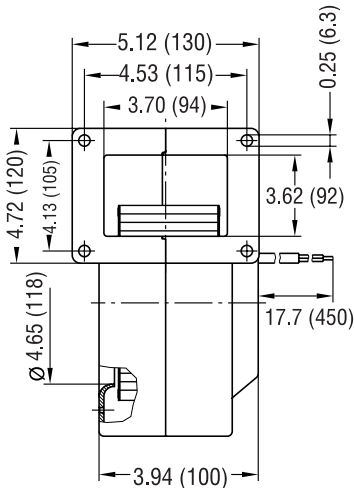
Ø 140mm



- AC single inlet, forward curved centrifugal blower. Via a bracket, the integrated external-rotor motor is mounted on one side of the housing.
- Direction of rotation is CW as seen from suction side. Insulation class "B".
- Maintenance-free ball bearings.
- UL, CSA, VDE approvals on some models, please contact application engineering.
- Housing of die-cast aluminium; impeller of galvanised sheet-steel. Forwardcurved impellers are directly press-fitted onto the rotor of the external-rotor motor.

Part Number	Curve	CFM @ 0	VAC	Hertz	Power (W)	dBA	Max Amb. Temp. C	Bearing Type	Features	Capacitor (µF)	Wgt. (lbs)
G2E140-AL40-48	1	179.5	230	60*	145	60	40	Ball	Leads	2	6.61
G2E140-AL30-48	1	179.5	115	60	130	60	40	Ball	Leads	10	6.61
G2E140-AI28-01	2	282.5	230	60*	205	71	45	Ball	Leads	4	5.73

\* 50 Hz data available.



**ebmpapst**

e-mail: [sales@us.ebmpapst.com](mailto:sales@us.ebmpapst.com) · TEL: 860-674-1515 · FAX: 860-674-8536  
 ebm-papst Inc., 100 Hyde Road, Farmington, CT 06034 USA

ebm-papst Inc., 2006 © ebm-papst Inc. reserves the right to change any specifications or data without notice